



SCREW COMPACTOR

➔ Type VCP

SPECIFICITIES

Reduction of waste volume = decrease in collection frequency.
 Custom built (slope, length, intake hopper dimensions, etc.).
 Can be used with our entire range of bar screens.
 Straightforward design, low operating costs and easy maintenance.

TECHNICAL CHARACTERISTICS

	VCP 200	VCP 250
Max. rate (m ³ /h)	1	2
Reduction in waste volume (%)	50	
Dryness (%)	30 to 35	
Max. slope (°)	25	20
Max. length (mm)	6,000	8,000
Construction	304L or 316L stainless steel	
Electrical protection	Current controller	



SCREW COMPACTOR

➔ Type VCP

1 • PRESS UNIT

- Length 500 mm
- Basket made of sheet with 60x4 mm perforations
- Adjustable compression flap
- Inspection door
- 1/4 turn manual valve, 3/4" coupling, female (optional)
- Electro-valve (optional)
- Cleaning nozzles (x4)
- Washing rate at 4 bars = 36 L/min (intermittent)

2 • INTAKE HOPPER (Custom built)

3 • FILTRATE OUTPUT (DN65)

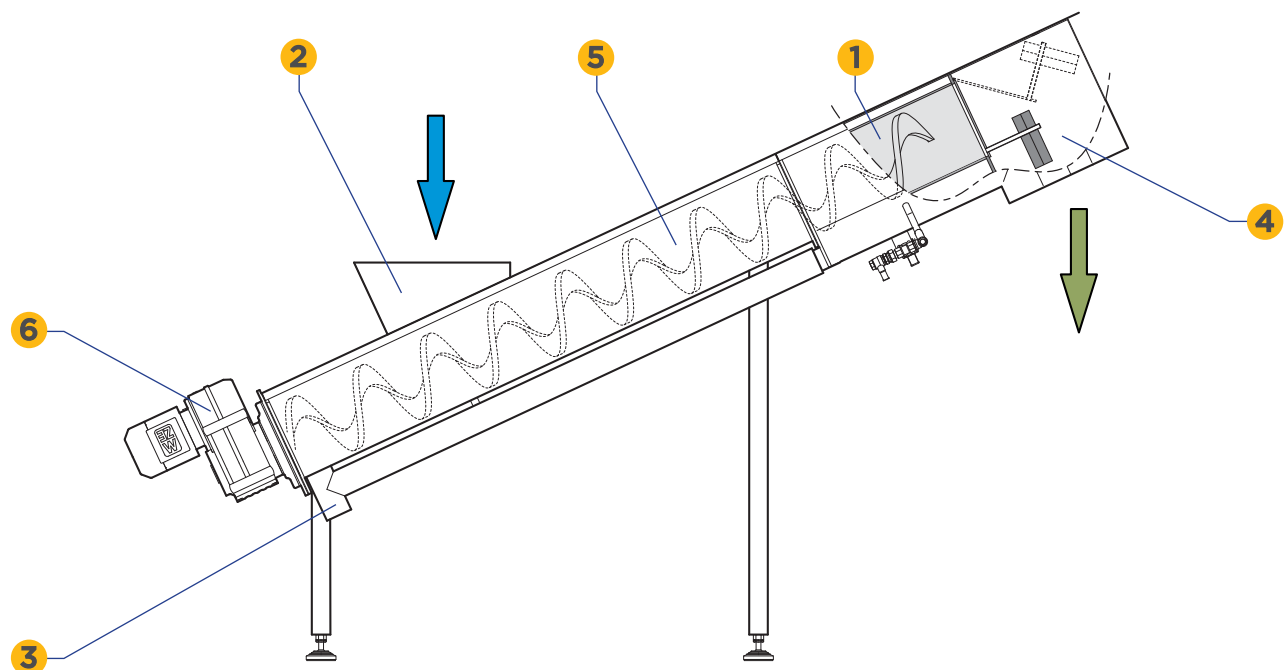
4 • OUTPUT HOPPER

5 • CONVEYING AREA

	VCP200	VCP250
Ø of trough (mm):	225	274
Ø of screw thread (mm):	200	250
Flat section:	70x15	80x20
Wear strip:	HD500 6 mm thick	

6 • GEARED MOTOR (SEW)

	VCP200	VCP250
Power (kW):	0.37 to 1.10	0.55 to 1.50



OPERATING PRINCIPLE

Waste is dumped in the conveying area through the intake hopper, adapted to the equipment which supplies it. The rotation of the Archimedes shaftless screw directs the waste to the compacting area where it accumulates against the compression flap held closed by a counterweight. Once the pressure is sufficient, this flap opens and the compacted waste is dumped into a receiving container (automatic bagging system, waste container, vertical duct or other).

The compacting area, equipped with a basket made of perforated sheet, is intermittently cleaned (workshop setting: 1 minute every three or four hours) by means of the four cleaning nozzles. The drained water, both in the conveying and compacting area, is recovered by a tube welded under the entire length of the screw. The filtrates can also be sent to the channel or station.

OPTIONS

Extension of output hopper, bagging head, automatic bagging system with 70-meter plastic bag refills, manual valve & electro-valve (for compacting and/or conveying area cleaning nozzles), safety end of travel sensors on press unit inspection door, waste washing ramp in conveying area, etc.